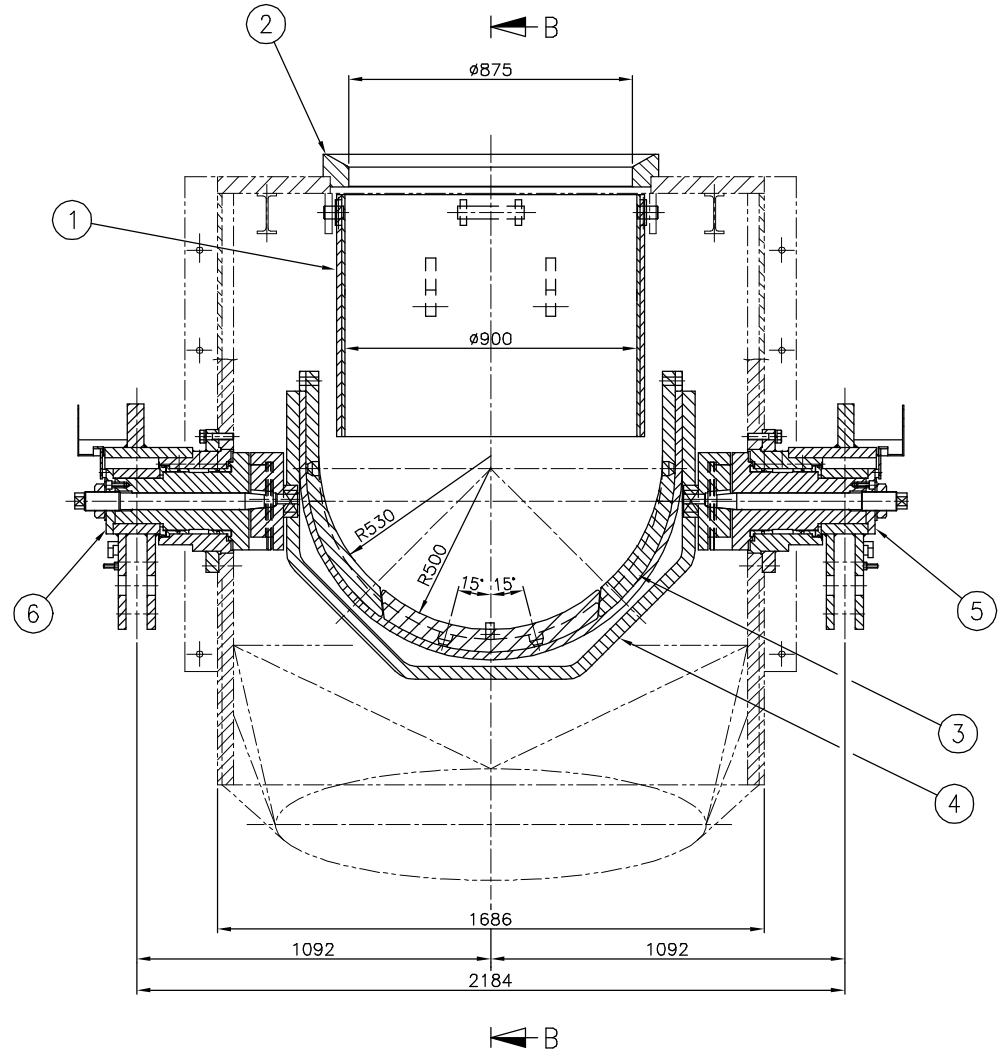
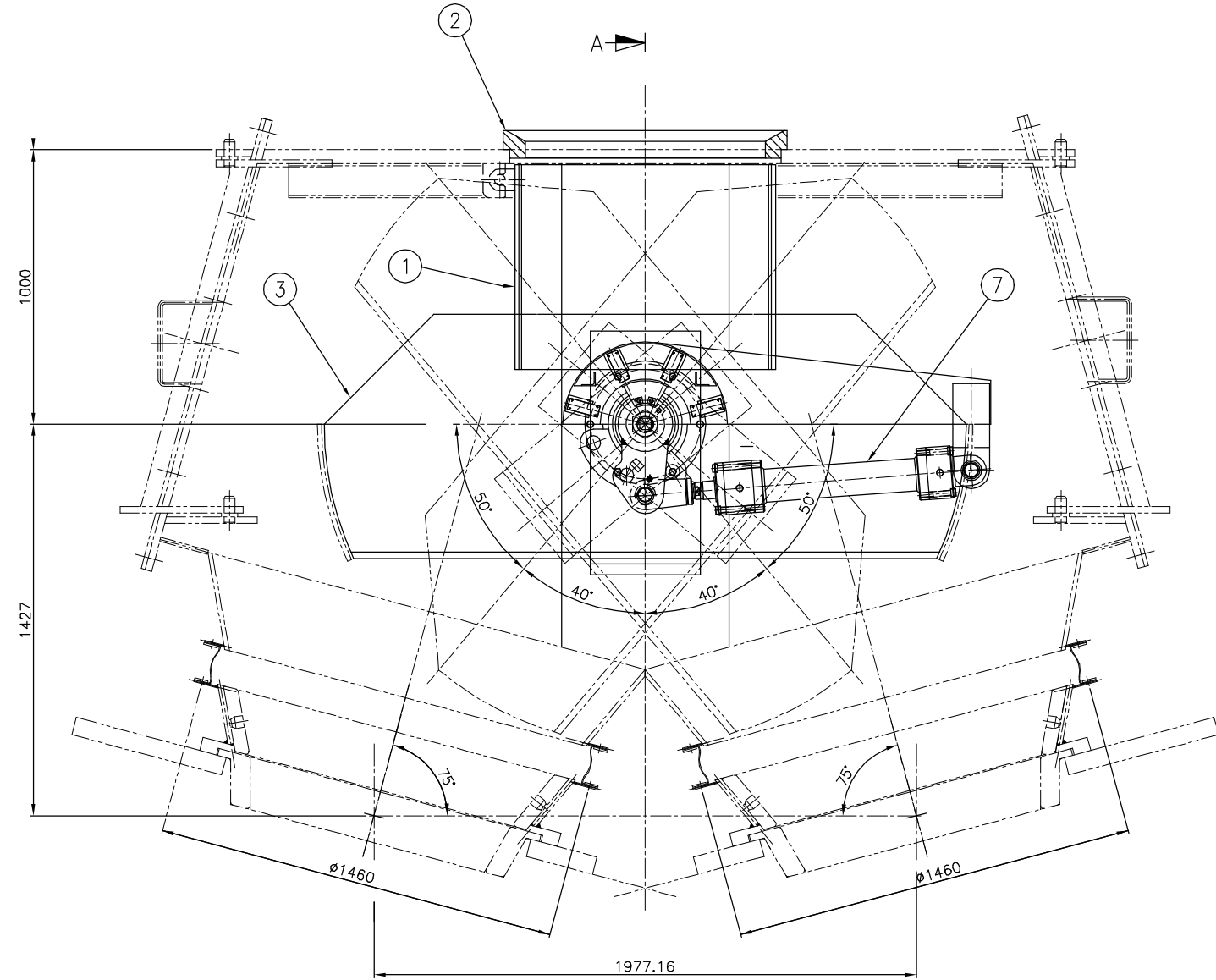


Item Name: FLAP GATE
Model No.: FSP-FT-FG01-001

NO.	SPECIFICATION	MATERIAL	Q'TY	WEIGHT(KG)		REMARKS
				UNIT	TOTAL	
	DISTRIBUTION ROCKER ASS'Y		1SET	4,590		
1	FEEDER SPOUT	SS400+H/F	1	300	300	H/F; 10t
2	WEAR RING	Hi-Cr	1	188	188	
3	WEAR PLATE ASS'Y FOR ROCKER	Hi-Cr	1	1,834	1,834	
4	CASING FOR ROCKER	SS400	1	1,188	1,188	
5	DRIVE UNIT ASS'Y (A)		1	450	450	
6	DRIVE UNIT ASS'Y (B)		1	450	450	
7	HYD' CYLINDER ASS'Y	CA#99x#70x400ST	2	90	180	



SECTION A-A



SCALE 1/15		PROJECTION		ITEM MODEL NO. FSP-FT-FG01-001	
SIZE A1		DIMENSION mm		MAKER DWG. NO. 214-M31-B7010	
TITLE 2BF PLANT HOPPER SYSTEM (G2R2) FURNACE TOP FACILITY GAS SEAL HOPPER GENERAL ARRANGEMENT FOR FLAP GATE		DRAWN S.C.PARK		CHECKED O.R.SONG	
NO. DATE 24.11.20		REVISION & DESCRIPTION FOR REFERENCE		DRAWN S.C.PARK	
				CHECKED O.R.SONG	
				REVIEWED K.S.SONG	
				APPROVED	
FINE INC.		S.C.PARK		O.R.SONG	
		24.11.20		24.11.20	
				K.S.SONG	
				24.11.20	
				DWC. NO.	

